

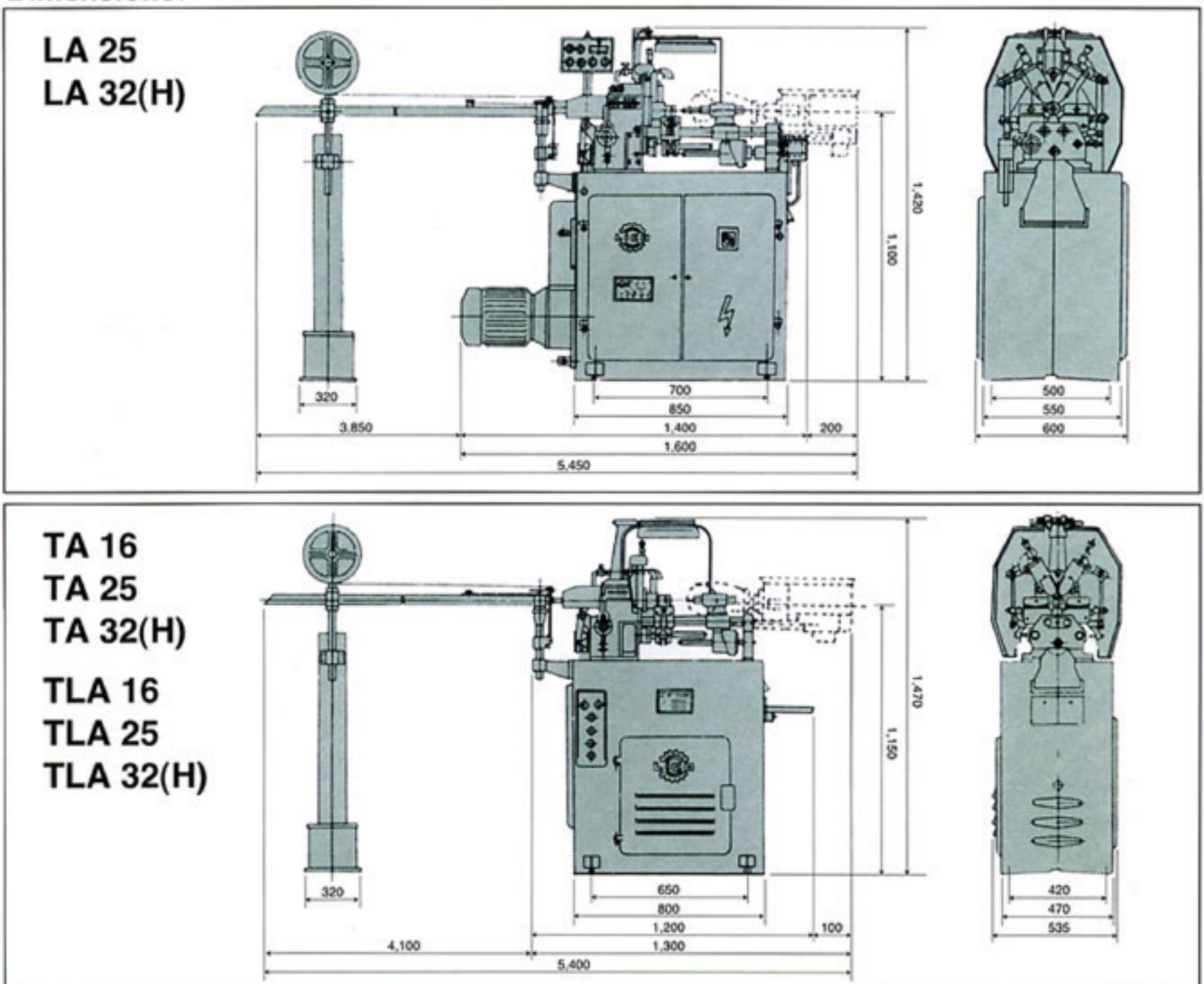
Technical Data:

Subject to change without notice

Model		TA16	TA25	TA32(H)	TLA16	TLA25	TLA32(H)	LA25	LA32(H)
Maximum capacity	round	16mm (5/8")	25mm (1")	32mm (1 1/4")	16mm (5/8")	25mm (1")	32mm (1 1/4")	25mm (1")	32mm (1 1/4")
	hexagon	13mm (1/2")	22mm (7/8")	27mm (1 1/16")	13mm (1/2")	22mm (7/8")	27mm (1 1/16")	22mm (7/8")	27mm (1 1/16")
	square	11mm (7/16")	18mm (23/32")	22mm (7/8")	11mm (7/16")	18mm (23/32")	22mm (7/8")	18mm (23/32")	22mm (7/8")
Maximum turning length (LTA)		70mm (2-3/4")			70mm (2-3/4")			70mm (2-3/4")	
Stroke of cross slide		* 22mm (7/8")			* 22mm (7/8")			* 22mm (7/8")	
Max. capacity of tailstock collet		13mm (1/2")			13mm (1/2")			13mm (1/2")	
Max. tailstock travel		100mm (4")			100mm (4")			100mm (4")	
Spindle speed		700-7,500 rpm (20 steps)	550-4,200 rpm (12 steps)	300-2,750 rpm (12 steps)	200-6,000 rpm (40 steps)	150-4,200 rpm (40 steps)	150-4,200 rpm (210-2,300 rpm(H))	150-4,200 rpm (40 steps)	150-4,200 rpm (210-2,300 rpm(H))
Production rate		28 to 2,100 pcs / hr			28 to 2,100 pcs / hr			28 to 2,100 pcs / hr	
Cycle time		1.71 sec/pc to 128.6 sec/pc			1.71 sec/pc to 128.6 sec/pc			1.71 sec/pc to 128.6 sec/pc	
Power rating	work spindle motor	1.5/1.8 kw (2.0/2.4 Hp)		1.8/2.2kw(2.4/2.9Hp)	2.6/0.65 kw (3.5/0.9 Hp)		2.6/0.65 kw (3.5/0.9 Hp)		
	feed drive motor	0.37 kw (1/2 Hp)			0.37 kw (1/2 Hp)			0.37 kw (1/2 Hp)	
	coolant pump motor	0.1 kw (1/8 Hp)			0.1 kw (1/8 Hp)			0.1 kw (1/8 Hp)	
Content of coolant tank		40 Liters			40 Liters			40 Liters	
Net weight of complete machine		660 kgs		760 kgs	660 kgs		760 kgs	860 kgs	960 kgs
Gross weight of complete machine		800 kgs		900 kgs	800 kgs		900 kgs	1,000 kgs	1,100 kgs
Measurement of seaworthy packing case		1.8 Cu.M		2.4 Cu.M	1.8 Cu.M		2.4 Cu.M	2.3 Cu.M	2.8 Cu.M

*35mm (1-3/8") with special designed cross slide cam lever.

Dimensions:



LICO MACHINERY CO., LTD.

No.1666 Chungshan Road., Shenken
Dist., Taichung, 429 Taiwan

TEL:886-4-2563-0950

FAX:886-4-2563-0951

E-mail: likon@ms7.hinet.net

http://www.likon.net

LIPOCO ENTERPRISES, INC.

12707 Rives Avenue, Unit C
Downey, CA 90242

TEL:562-401-9316

FAX:562-401-9318

E-mail: lipoco@lipoco.com

Website: www.lipoco.com

Distributor